

## OPERATING INSTRUCTION

Concierge Terminal **VIZIT-TK401DN** (the Terminal hereinafter) is part of Concierge Console **VIZIT-PK200** intended for operation within **VIZIT** doorphones & video doorphones.

As part of Concierge Console **VIZIT-PK200**, the Terminal operates in system with Control Unit **VIZIT-TU412M1**

### CONCIERGE CONSOLE FEATURES

- ♦ Intercom "Visitor - Subscriber / Abonent" (V → A)
- ♦ Intercom "Visitor - Concierge" (V → C)
- ♦ Intercom "Concierge - Visitor" (C → V) - concierge-initiated
- ♦ Intercom "Concierge - Subscriber" (C → A)
- ♦ Intercom "Subscriber - Concierge" (A → C)
- ♦ Indication of busy / free line
- ♦ Calls transfer from doorstation to concierge\*
- ♦ Calls transfer from concierge to subscriber\*
- ♦ Redial of the last number
- ♦ Indication of operating modes, time and date
- ♦ Messages in English or Russian\*
- ♦ Speakerphone
- ♦ Saving of all settings and time/date in case of power failure

\* This feature is programmable through Control Unit **VIZIT-TU412M1** setup (see the **VIZIT-TU412M1** operating instruction, section 'Programming').

### SPECIFICATIONS

|                         |                |
|-------------------------|----------------|
| Dimensions:             |                |
| - width                 | <b>145 mm</b>  |
| - height                | <b>200 mm</b>  |
| - depth (without stand) | <b>50 mm</b>   |
| - depth (with stand)    | <b>115 mm</b>  |
| Weight                  | <b>0.6 kg.</b> |

### PARTS LIST

|   |              |
|---|--------------|
| Concierge Terminal <b>VIZIT-TK401DN</b> | <b>1 pc.</b> |
| Connecting box <b>KC-101</b>            | <b>1 pc.</b> |
| Line cord                               | <b>1 pc.</b> |
| Handset                                 | <b>1 pc.</b> |
| Stand                                   | <b>1 pc.</b> |
| Operating instruction                   | <b>1 pc.</b> |
| Package                                 | <b>1 pc.</b> |

### OPERATING CONDITIONS

|                           |                           |
|---------------------------|---------------------------|
| Ambient temperature range | <b>+1°C ... +40°C</b>     |
| Relative humidity of air  | <b>up to 93% at +25°C</b> |

### SAFETY INSTRUCTIONS

The Terminal does not contain voltage above **18 VDC**.

To avoid damage, do not make any connections or repair when the power is on.

The product shall not be exposed to dripping or splashing and no objects filled with liquids shall be placed on the product.

### INSTALLATION

**For qualified installation, wiring and servicing refer to technical and commercial partners of VIZIT TM. The list of companies is given on VIZIT.EU (<http://vizit.eu/eurounion/>).**

Appearance and controls layout are shown in **Fig. 1**.

Connections and dimensions are shown in **Fig. 2**.

Place the Terminal on desk / table or mount it on a wall. Make connections as shown in the Control Unit **VIZIT-TU412M1** operating instruction.

For desktop installation, use a plastic stand supplied with the Terminal. For on-wall mounting, use screws (4x25) and concrete inserts (6x30), not supplied. Mounting dimensions are given in **Fig. 2**.

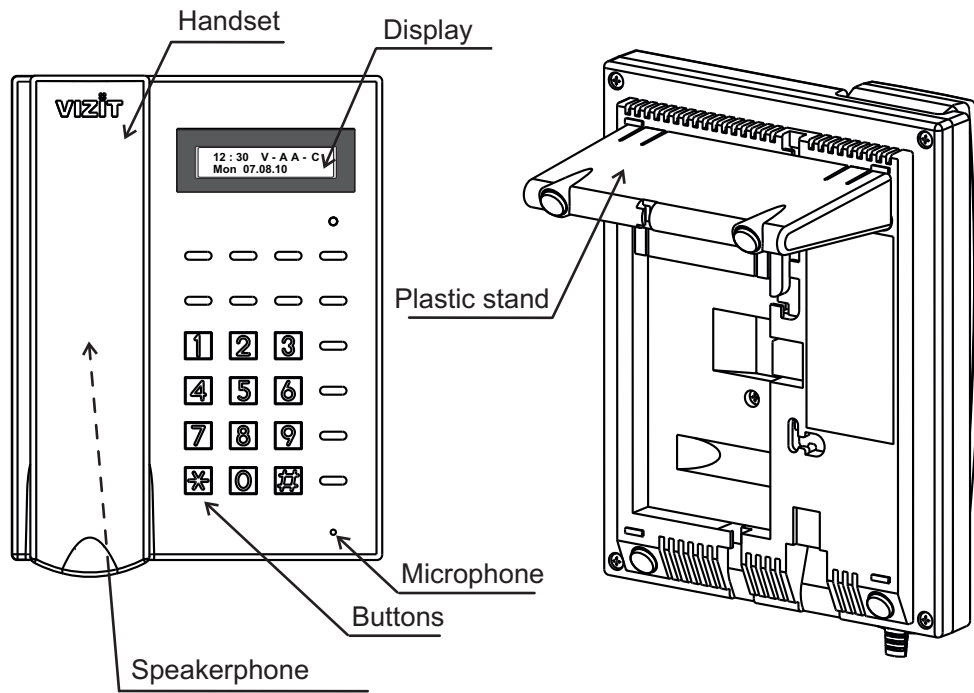


Figure 1 - Front and bottom view

1. Connect the handset to the Terminal.
2. Connect the Terminal to connecting box **KC-101** using the line cord supplied.
3. Connect the connecting box **KC-101** to Control Unit **VIZIT-TU412M1** according to wiring diagrams given in the Control Unit **VIZIT-TU412M1** operating instruction.

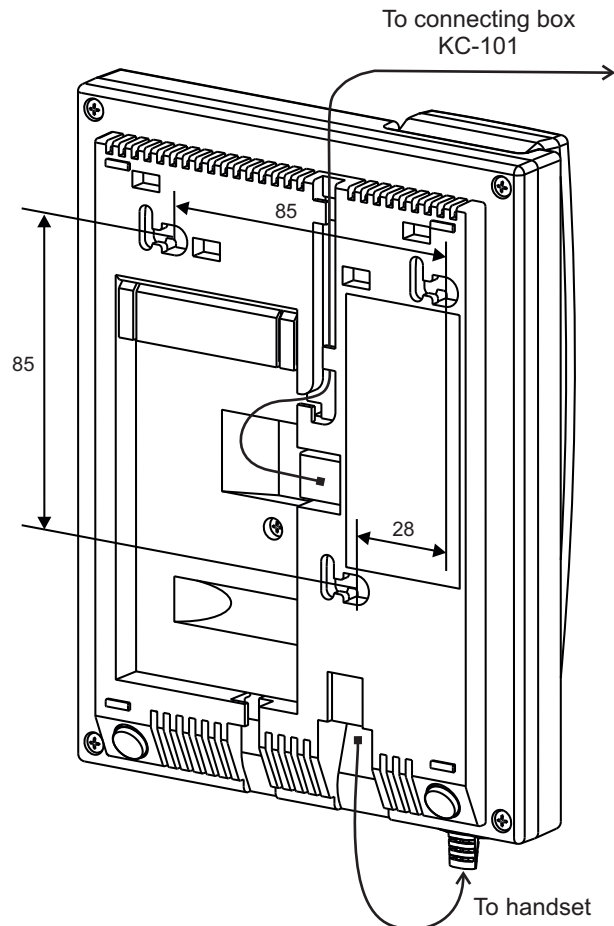


Figure 2 - Connections and mounting dimensions

**Operating order is given in the Control Unit VIZIT-TU412M1 operating instruction.**